

E Series Inclined Screen
CMC E 系列傾斜式震篩機

www.chymeang.com



啓銘機械股份有限公司
CHYI MEANG MACHINERY CO., LTD.

啓銘E型傾斜震篩機提供使用者最大利益 CMC E type Incline Vibrating Screen provides maximum benefits for users

- 啓銘機械作為破碎篩分行業的製造者，自1969年累積至今的技術與經驗，推出新款E型傾斜震篩機，為客戶提供最大競爭優勢。

歷經 A型~E型之不斷研究測試與改進，啓銘之E型震篩機採用單軸震動機構，經由實際運轉中證明具有最佳粒子過篩方式：

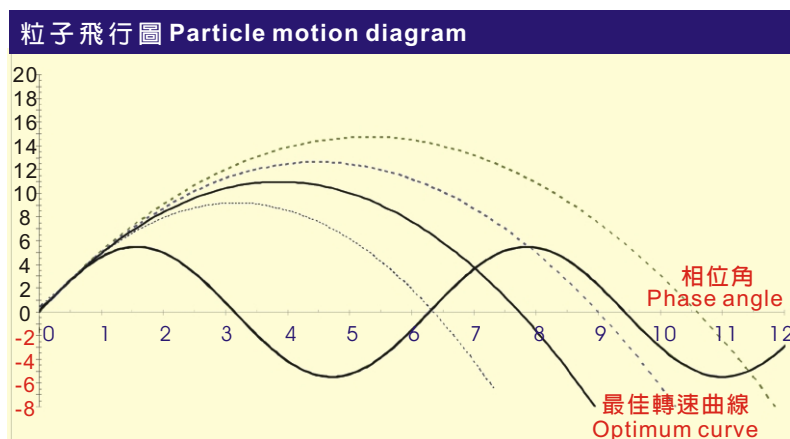
- CMC, leads crushing and screen technology in Taiwan and develops new generation E type Horizontal Vibrating Screen through the technology and experience since 1969. It provides maximum screen efficiency for users. Through A type to E type development, field test and improvement, CMC E type inclined Vibrating Screen applies single shaft vibrating mechanism. It has proven as best efficient material screen through field operation and the advantages are:

- 粒子翻滾利用本身重力移動。
- 降低循環負荷。
- 粒子過篩效率佳。
- 數種振幅／轉速之搭配應用範圍超大，由粗料到砂之篩選皆可適用。
- Material is conveying & rolling by it's own gravity.
- Reduce recirculation load.
- Best screen efficiency.
- Wide application ranges from coarse material to sand by various alternatives of stroke and speed selections .

- 耐久堅固的機身設計及傳動軸部零件安裝方式，不但適合任何重負載操作狀況，服務壽命更是超長，為客戶帶來可觀的利潤。
- Solid-rock durable frame design and unique bearings mounting way fit for any heavy duty operation conditions. Service life time is especially long which provides remarkable benefits for customers.

- 一體式篩網支架。
- 使用鉚釘固定機身結構。
- 軸承安裝於固定軸環上。
- Integrated screen deck.
- Huck bolt construction frame.
- Bearings are mounted on still Spindles.

本機各項優點，可使您投資利益最大，更可適用於多種過篩且服務時間特長，保養與維護最省。
The unique advantages enable maximum benefits of your investment. One machine applies in various screen conditions and ultra long service time saves costs of maintenance. ◦



■ 最簡單的篩選運動 Efficient Incline Screen Action

啓銘 E 型傾斜震篩機提供您最有效的篩分動作，從而增加您的利潤，本設計應用最廣，幾乎大部分碎石行業皆採取此種傾斜式震篩機。

Increase your production and profit with the efficient CMC E type incline Screen action. Inclined vibrating screen applies widely and most of the crushing plants adapt this type.

■ 結構簡單、容易保養 Simple Construction And Easy Maintenance

相較於水平式震篩機，傾斜式震篩機僅有一軸，故不需齒輪，結構簡單，容易保養。

Compared to horizontal vibrating screen, inclined vibrating screen has only one shaft design, no gears are required. It is simple construction and easy maintenance.

■ 優質的結構、軸承無軸推 Superior Structure Bearings, Have No Axial Load

軸承安裝於軸環上，主軸只用來傳動動力，並藉聯軸器帶動軸承與軸承座配重轉動於軸環上，因此主軸並未受到軸承高速轉動產生的熱量，所以主軸無明顯熱脹冷縮現象，故軸承無軸向推力負擔，因此可增加其壽命。

Bearings are mounted onto spindles; shaft only transfers power from motor to bearing housings, weights and bearings. Hence, bearings with housings, weights rotate together on spindles and heat generated by high speed rotation of bearings will not transfer to shaft. Therefore, no substantial extension of shaft occurs and consequently bearing will not be biased by an axial stress. So, the life time of bearings extend.

■ 萬向接頭傳動動力 Power Transfer Via Universal Joint

獨特萬向接頭取代傳統皮帶輪傳送動力方式，降低軸承負荷。

Unique flexible power transfer by universal joint, compared to conventional pulley / belt way can minimize bearing load and wear.



先進的震動機構 Advanced Vibrator

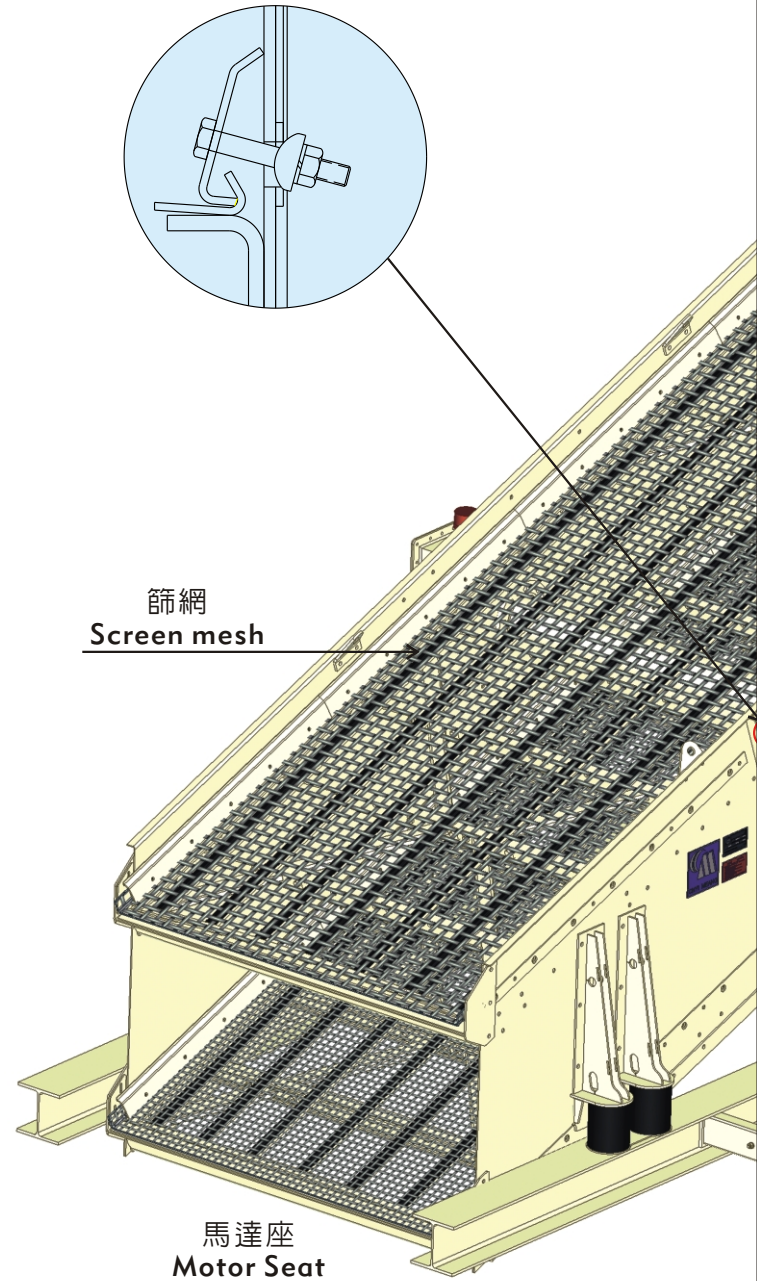
軸承安裝於軸環，而軸環鎖結於機台三層夾板結構上，傳動軸只是負責動力傳遞，此種設計，軸繞曲度最小，所以軸承壽命長，且具省電特性（用電量僅約傳統震篩機之70%）、省潤滑油、低噪音，符合現今環保需求。

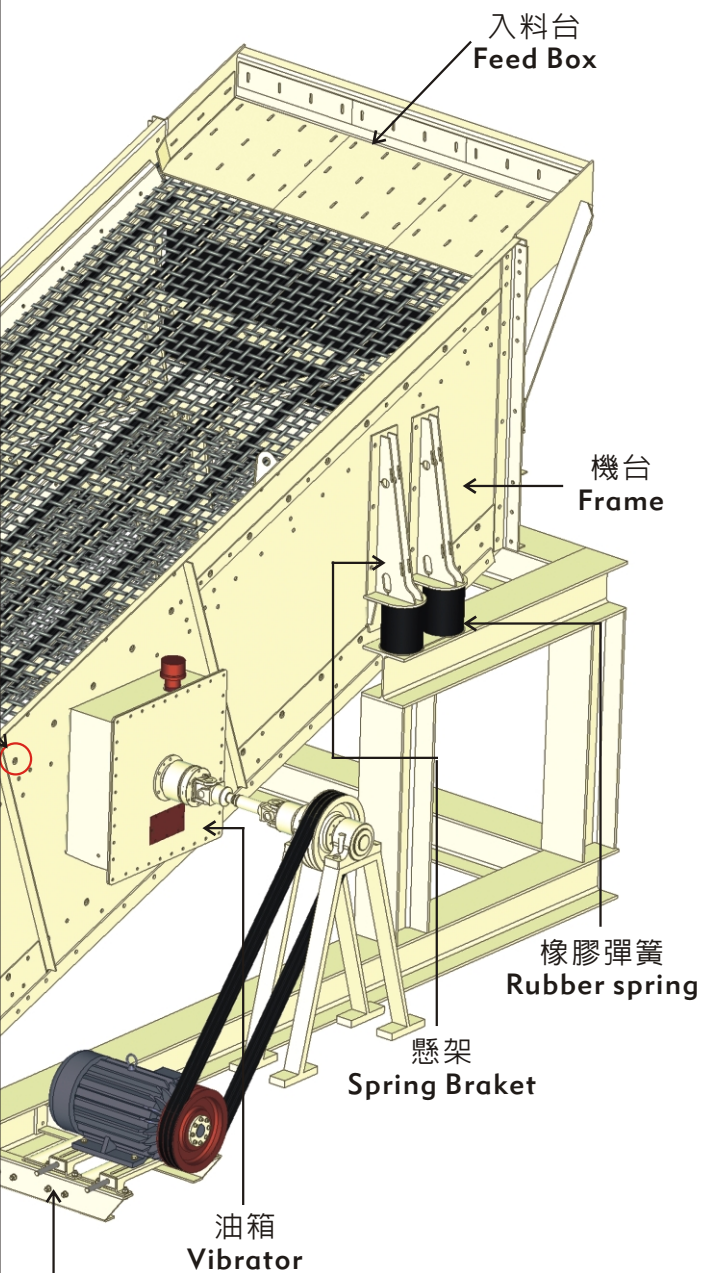
Bearings are mounted on still Spindles and Spindles are bolted onto triple walls structure. Drive shaft is only for power transfer. The advantages of this vibrator are minimum shaft deflection, maximum bearings life and power consumption saving (power consumption is about 40% of conventional type vibrator only), less lubricant, low noise which meet environment protection issue nowadays.

應用範圍廣 Wide applications

相較於水平式震篩機，傾斜式震篩機構造簡單容易維修保養，通過物料量更大，普遍應用於碎石、回收及礦物上篩選，使用情形十分普遍。

Incline screen has benefits of simple structure for easy maintenance and larger through capacity compared to horizontal screen. It applies widely in all kinds of aggregates, recycling and mining industries etc. The applications of inclined screen is very popular.





堅固耐用的設計 Rock-solid design

本系列機種機身設計特別堅固耐用適合重負載狀況。

- 高張力邊板。
- 一體式篩網支架。
- 鉚釘鎖結之機身結構。
- 震動箱與邊板鎖結採三層板結構具有相當高抵抗彎曲應力的功用。

The series of models are designed ultra sturdy and durable and very suitable for heavy duty application.

- High strength side plates.
- Integrated screen deck.
- Huck bolt construction for frame.
- Triple walls around drive and impulse shafts add extra strength in area of greatest stress.

操作維修平順容易 Easy operation and maintenance

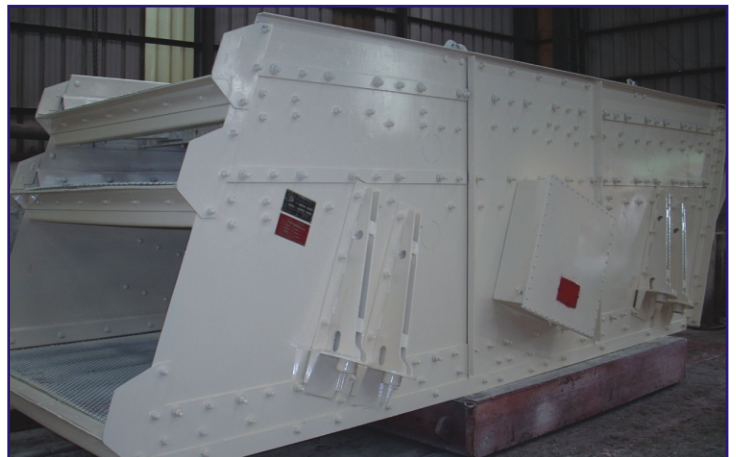
- 可更換式軸承座設計，可輕易於現場更換軸承及其他零件，使維護保養更容易。
- 配備橡膠彈簧（選項），使起動、停止更平順。
- 採用萬向接頭，連接馬達傳動，使傳動軸不受皮帶張力影響而彎曲。
- Replaceable bearing seat design to easily change bearings and all parts at site.
- Equipped with rubber spring (option) to have smooth start and stop operation.
- Flexible power transfer by universal joint can minimize bearings' load.

超強機身結構

Ultra robust frame structure

震篩機台採用鉚釘鎖結組立成一個堅固的箱體結構，機台邊板使用高張力鋼板製作而成完全無焊接，一體式的篩網支架具有穩固的支撐力。

Huck bolts construction frames into a box shape structure, high strength frame plates without welding and integrated screen decks with solid support to form a ever robust construction.



篩網支架設計

Screen deck design

篩網支架採用拱型橫樑設計，具有高強度、低撓曲度等特性。網面採用弧形設計，篩網利用壓板固定可提供最高的篩網張力，篩料可均勻分佈於網面上。

Screen deck adapted arc shape cross beam and has features of high strength and low deflection. Single-crown deck design can provide maximum screen cloth tension and only fixes by fixed plates at two sides. This design spread material evenly across the screen.



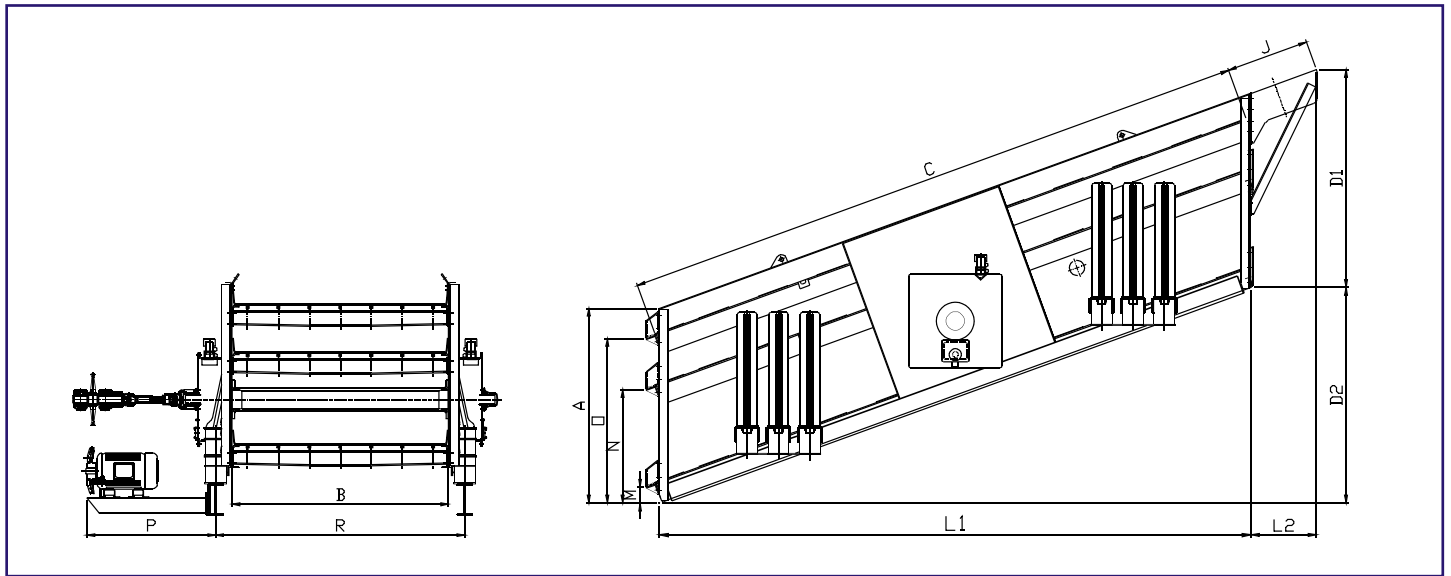
橡膠彈簧

Rubber spring

全機種採用橡膠彈簧，在啓動與停機時具有大幅降低噪音的特性。

Rubber springs are adapted for all series of screen with characteristics of reducing dramatically noise during start and stop screen.

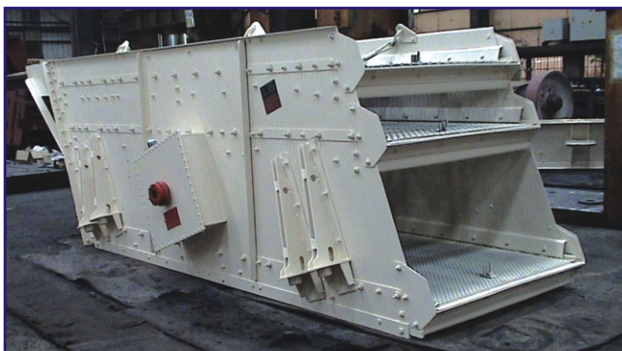




機型 Screen size	馬力 hp(kw)	重量 Basket weight		尺寸 Dimension (mm)												
		Kg	Lbs	A	B	C	D1	D2	J	L1	L2	M	N	O	R	P
VT412-2EC	15(11)	2840	6256	1208	1200	3660	1496	1259	406	3457	251	135		932	1480	1390
VT412-3EC	15(11)	3540	7797	1664	1200	3660	2027	1259	406	3457	251	135	932	1389	1480	1390
VT414-2EC	15(11)	3040	6696	1208	1200	4270	1496	1467	406	4030	251	135		932	1480	1390
VT414-3EC	15(11)	3965	8733	1664	1200	4270	2027	1467	406	4030	251	135	932	1389	1480	1390
VT514-2EC	20(15)	3340	7357	1208	1500	4270	1528	1467	500	4030	339	135		932	1817	1390
VT514-3EC	20(15)	4500	9912	1664	1500	4270	2059	1467	500	4030	339	135	932	1389	1817	1390
VT516-2EC	25(19)	3800	8370	1208	1500	4880	1528	1676	500	4607	339	135		932	1817	1390
VT516-3EC	25(19)	5050	11123	1664	1500	4880	2059	1676	500	4607	339	135	932	1389	1817	1390
VT616-2EC	30(22.5)	5050	11123	1346	1800	4880	1588	1676	675	4607	504	160		1070	2110	1390
VT616-3EC	30(22.5)	6372	14035	1820	1800	4880	2119	1676	675	4607	504	160	1042	1544	2110	1390
VT620-2EC	40(30)	5900	12996	1346	1800	6100	1588	2093	675	5750	504	160		1070	2110	1390
VT620-3EC	40(30)	7635	16817	1820	1800	6100	2119	2093	675	5750	504	160	1024	1544	2110	1390
VT718-2EC	40(30)	6070	13370	1432	2100	5490	1612	1885	675	5176	504	171		1157	2416	1390
VT718-3EC	40(30)	8000	17621	1889	2100	5490	2068	1885	675	5176	504	171	1118	1613	2416	1390
VT720-2EC	40(30)	7040	15507	1432	2100	6100	1612	2093	675	5750	504	171		1157	2416	1390
VT720-3EC	40(30)	9250	20374	1889	2100	6100	2068	2093	675	5750	504	171	1118	1613	2416	1390
VT820-2EC	50(37.5)	7630	16806	1526	2400	6100	1705	2093	675	5750	504	171		1250	2716	1390
VT820-3EC	50(37.5)	10170	22401	1889	2400	6100	2068	2093	675	5750	504	171	1118	1613	2716	1390
VT824-2EC	50(37.5)	10170	22401	1526	2400	7320	1705	2511	675	6896	504	171		1250	2716	1390
VT824-3EC	60(45)	11100	24449	1889	2400	7320	2068	2511	675	6896	504	171	1118	1613	2716	1390

備註:上述規格尺寸僅供參考,啓銘有權變動而不必另行通知

Remark: The above specification is only for reference, CMC reserves rights to change without notice.



對客戶的承諾 啓銘責任的開始

Commitment for customers is the start of CMC'S responsibility

■ 啓銘機械自1969年由董事長簡正旭先生創立以來，數十年來，啓銘堅持“品質、服務、創新”的經營理念以及精益求精的精神不斷在產品技術製程上致力改善。追求碎石設備之現代化、先進化及生產流程簡單化、一貫化以滿足客戶的需求，範圍涵蓋整廠碎石設備諮詢的規劃、設計、安裝、售後服務及操作訓練。

一本以往精神，傾聽客戶的需求，追求更先進技術，致力產品國際化，期能為客戶創造更大利益，為社會建設做出更多的貢獻。

■ Since CMC (Chyi Meang Machinery Co.,Ltd) was founded in 1969, by Mr. Jean Hsu Chien, For decades, CMC insists "Quality, Service, Innovation"-company motto and the spirit of pursuing better on better in continuous improvement on product technology and manufacture facilities/process.CMC has devoted to the modernization of stone crusher and the production process simplification/centralization to meet customer satisfaction. Our ranges cover consultancy, planning, design, manufacture, installation, after sales service and training of complete stone crusher plant equipments.

CMC keeps same spirit as usual,pursues more advance technology,devote to products' internationalization. CMC endeavors to create maximum advantages for clients.

桃園廠 Office & Factory (Taoyuan)

桃園縣八德市介壽路二段535號
No. 535 Chieh-Shou Rd. Sec. 2. Pate
City Taoyuan Hsien Taiwan
Tel : 886-3-3666167-9
Fax : 886-3-3668366



雲林廠 Office & Factory (Yunlin)

雲林縣林內鄉重興村68之50號
No. 68-50, Chongsing Village,
Yunlin County, Taiwan
Tel : 886-5-5890167-8
Fax : 886-5-5890169



屏東廠 Office & Factory (Pingtung)

屏東縣里港鄉三和路119之66號
No. 119-66, Sanhe Rd., Ligang Township,
Pingtung County, Taiwan
Tel : 886-8-7733735,7733730
Fax : 886-8-7733732



中國廈門廠 Office & Factory (Xiamen)

福建省龍海市龍池開發區
鴻漸工業園橫二路4之1號
No.4-1, Heng Erh Road, Hong Jian
Industrial Park, Long Chi Development
Zone, Long Hai City, Fujian Province
Tel:86-596-6769-799
Fax:86-596-6769-199



啓銘機械股份有限公司
CHYI MEANG MACHINERY CO., LTD.

E-mail : sales@chyimeang.com
http : //www.chyimeang.com

Agent/Distributor: